



Condensing unit
Voltage Code : FZ

CAJN9480ZMHR-FZ

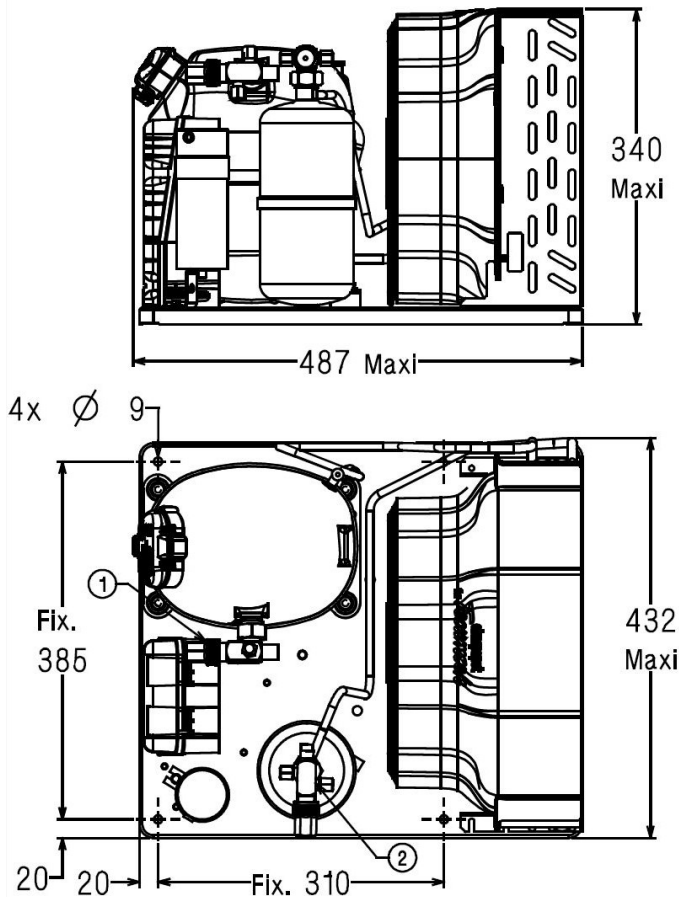
High Temp. Commercial (MHP)

220 - 240V 1~ 50 Hz

R452A / R404A / R448A / R449A

CAJN9480ZMHR-FZ

| Conditions | Frequency | Nominal Cooling Capacity | | Sound Power ISO3745 / ISO 3743-1 |
|-----------------|-----------|--------------------------|-------|-------------------------------------|
| | | Watts | BTU/h | |
| EN13215 / R452A | 50 Hz | 1880 | 6411 | 64 dBA |
| EN13215 / R404A | 50 Hz | 1914 | 6526 | 64 dBA |
| EN13215 / R448A | 50 Hz | 1822 | 6213 | 64 dBA |
| EN13215 / R449A | 50 Hz | 1823 | 6216 | 64 dBA |



| | |
|-------------------------|------------------|
| Net Weight (Kg) | 33.0 |
| Expansion device | Expansion_Valve |
| Air Flow (m³/h) | 900 |
| Compo Data Sheet | 224CT-FZ |
| Elec Comp Type | CSR |
| Current (Amp) | |
| Load Rated Amp | 4.5 |
| Max Cont Current | 6.9 |
| Lock Rotor Amp | 23 |
| Fan | |
| Speed (rpm) | 1200 |
| Power (W) | 30.0 |
| Diameter (mm) | 300 |
| Protection | Overload |
| IP Level | IP54 |
| Condenser | 300/3900 |
| Liquid Receiver | |
| Capacity (L) | 1.5 |
| Maximum Pressure (Bars) | 32.0 |
| Suction Line | |
| Suction Type | Vanne Orientable |
| For Tubing Out Diam | 12.7 (1/2") |
| Suction Connection Type | Brased |
| Liquid Line | |
| Liquid Line Type | Vanne Orientable |
| For Tubing Out Diam | 9.5 (3/8") |
| Liquid Connecton Type | Brased |
| Connection Type | VR |
| Fan Guard | maille < à 8mm |

* EN13215 : T°Ambient 32.0°C / T°Evap. 5.0°C / T°Return gas temp.. 20.0°C
T°Subcooling. 3.0K

Note : Tecumseh reserves the right to change information contained in this document without notification.



Tecumseh

| | |
|------------------------|---|
| CAJN9480ZMHR-FZ | Tension FZ : 220 - 240V 1~ 50 Hz |
|------------------------|---|

| | | |
|--|------------------------|---------|
| Les performances sont données dans les conditions EN13215 : | Gaz aspirés : | 20.0 °C |
| Condition Dew | Sous refroidissement : | 3.0 K |
| The performance data are in EN13215 conditions : | Return gas : | 20.0 °C |
| Dew Condition | Subcooling : | 3.0 K |

© 2018 Tecumseh Products Company
All rights reserved

50 Hz R452A

N°6288

| 5 T ambience | 6 T évaporation | (°C) | -25 | -20 | -15 | -10 | -5 | 0 | 5 | 10 | 15 |
|----------------|--------------------|--------|------|------|------|------|------|------|------|------|------|
| 25 | 1 P frigorifique | (Watt) | 678 | 861 | 1069 | 1299 | 1552 | 1823 | 2110 | 2409 | 2716 |
| | 2 P absorbée | (W) | 493 | 550 | 608 | 668 | 731 | 797 | 867 | 942 | 1022 |
| | 3 I absorbée | (A) | 2.47 | 2.72 | 2.98 | 3.25 | 3.53 | 3.83 | 4.15 | 4.49 | 4.86 |
| | 4 Tc | (°C) | 30.3 | 32.1 | 34.0 | 36.1 | 38.3 | 40.7 | 43.2 | 45.9 | 48.8 |
| 32 | 1 P frigorifique | (Watt) | 583 | 756 | 947 | 1157 | 1383 | 1625 | 1880 | 2144 | 2415 |
| | 2 P absorbée | (W) | 495 | 559 | 624 | 691 | 761 | 835 | 912 | 994 | 1082 |
| | 3 I absorbée | (A) | 2.43 | 2.73 | 3.03 | 3.34 | 3.66 | 4.00 | 4.35 | 4.73 | 5.13 |
| | 4 Tc | (°C) | 36.5 | 38.2 | 40.0 | 41.9 | 44.0 | 46.2 | 48.6 | 51.2 | 53.9 |
| 43 | 1 P frigorifique | (Watt) | | 586 | 753 | 930 | 1118 | 1316 | 1521 | 1734 | |
| | 2 P absorbée | (W) | | 563 | 640 | 720 | 802 | 888 | 978 | 1073 | |
| | 3 I absorbée | (A) | | 2.71 | 3.08 | 3.46 | 3.85 | 4.24 | 4.65 | 5.08 | |
| | 4 Tc | (°C) | | 47.8 | 49.4 | 51.1 | 53.0 | 55.0 | 57.2 | 59.5 | |

50 Hz R404A

N°5047

| 5 T ambience | 6 T évaporation | (°C) | -25 | -20 | -15 | -10 | -5 | 0 | 5 | 10 | 15 |
|----------------|--------------------|--------|------|------|------|------|------|------|------|------|------|
| 25 | 1 P frigorifique | (Watt) | 737 | 923 | 1132 | 1362 | 1612 | 1878 | 2155 | 2439 | 2726 |
| | 2 P absorbée | (W) | 521 | 578 | 637 | 697 | 759 | 823 | 890 | 961 | 1038 |
| | 3 I absorbée | (A) | 2.61 | 2.86 | 3.12 | 3.38 | 3.66 | 3.95 | 4.26 | 4.58 | 4.94 |
| | 4 Tc | (°C) | 33.2 | 34.9 | 36.8 | 38.8 | 41.0 | 43.3 | 45.7 | 48.3 | 51.0 |
| 32 | 1 P frigorifique | (Watt) | 637 | 811 | 1004 | 1212 | 1435 | 1670 | 1914 | 2162 | 2410 |
| | 2 P absorbée | (W) | 526 | 590 | 655 | 722 | 791 | 863 | 937 | 1016 | 1099 |
| | 3 I absorbée | (A) | 2.58 | 2.88 | 3.18 | 3.49 | 3.80 | 4.13 | 4.47 | 4.83 | 5.21 |
| | 4 Tc | (°C) | 39.3 | 40.9 | 42.6 | 44.5 | 46.5 | 48.6 | 50.9 | 53.3 | 55.9 |
| 43 | 1 P frigorifique | (Watt) | | 634 | 801 | 976 | 1158 | 1347 | 1538 | 1732 | |
| | 2 P absorbée | (W) | | 599 | 676 | 755 | 836 | 920 | 1006 | 1097 | |
| | 3 I absorbée | (A) | | 2.88 | 3.26 | 3.63 | 4.00 | 4.39 | 4.78 | 5.19 | |
| | 4 Tc | (°C) | | 50.2 | 51.6 | 53.3 | 55.0 | 57.0 | 59.0 | 61.2 | |

1 = cooling capacity 2 = power input 3 = current 4 = condensing temperature 5 = ambient temperature 6 = evaporating temperature

Nota : Tecumseh se réserve le droit de modifier les informations contenues dans ce document sans préavis.

Note : Tecumseh reserves the right to change information contained in this document without notification.



Tecumseh

| | |
|------------------------|---|
| CAJN9480ZMHR-FZ | Tension FZ : 220 - 240V 1~ 50 Hz |
|------------------------|---|

| | | |
|--|------------------------|---------|
| Les performances sont données dans les conditions EN13215 : | Gaz aspirés : | 20.0 °C |
| Condition Dew | Sous refroidissement : | 3.0 K |
| The performance data are in EN13215 conditions : | Return gas : | 20.0 °C |
| Dew Condition | Subcooling : | 3.0 K |

© 2018 Tecumseh Products Company
All rights reserved

50 Hz R448A (*)

N°6979

| 5 T ambience | 6 T évaporation | (°C) | -25 | -20 | -15 | -10 | -5 | 0 | 5 | 10 | 15 |
|----------------|--------------------|--------|------|------|------|------|------|------|------|------|------|
| 25 | 1 P frigorifique | (Watt) | 576 | 754 | 957 | 1186 | 1440 | 1719 | 2021 | 2346 | 2690 |
| | 2 P absorbée | (W) | 465 | 519 | 576 | 635 | 699 | 765 | 837 | 913 | 996 |
| | 3 I absorbée | (A) | 2.32 | 2.57 | 2.82 | 3.09 | 3.37 | 3.68 | 4.00 | 4.36 | 4.74 |
| | 4 Tc | (°C) | 30.7 | 32.5 | 34.4 | 36.5 | 38.8 | 41.2 | 43.7 | 46.4 | 49.2 |
| 32 | 1 P frigorifique | (Watt) | | 661 | 850 | 1060 | 1293 | 1547 | 1822 | 2117 | 2430 |
| | 2 P absorbée | (W) | | 529 | 592 | 659 | 729 | 804 | 884 | 969 | 1060 |
| | 3 I absorbée | (A) | | 2.58 | 2.88 | 3.19 | 3.51 | 3.86 | 4.22 | 4.61 | 5.02 |
| | 4 Tc | (°C) | | 38.6 | 40.4 | 42.4 | 44.4 | 46.7 | 49.1 | 51.6 | 54.3 |
| 43 | 1 P frigorifique | (Watt) | | | | 866 | 1066 | 1282 | | | |
| | 2 P absorbée | (W) | | | | 688 | 772 | 860 | | | |
| | 3 I absorbée | (A) | | | | 3.31 | 3.70 | 4.11 | | | |
| | 4 Tc | (°C) | | | | 51.6 | 53.5 | 55.5 | | | |

50 Hz R449A (*)

N°6221

| 5 T ambience | 6 T évaporation | (°C) | -25 | -20 | -15 | -10 | -5 | 0 | 5 | 10 | 15 |
|----------------|--------------------|--------|------|------|------|------|------|------|------|------|------|
| 25 | 1 P frigorifique | (Watt) | 576 | 754 | 957 | 1186 | 1440 | 1719 | 2022 | 2347 | 2691 |
| | 2 P absorbée | (W) | 465 | 519 | 576 | 635 | 699 | 765 | 837 | 913 | 996 |
| | 3 I absorbée | (A) | 2.32 | 2.57 | 2.82 | 3.09 | 3.37 | 3.68 | 4.00 | 4.36 | 4.74 |
| | 4 Tc | (°C) | 30.7 | 32.5 | 34.4 | 36.5 | 38.8 | 41.1 | 43.7 | 46.4 | 49.2 |
| 32 | 1 P frigorifique | (Watt) | | 661 | 850 | 1061 | 1293 | 1548 | 1823 | 2118 | 2431 |
| | 2 P absorbée | (W) | | 529 | 592 | 659 | 729 | 804 | 884 | 969 | 1060 |
| | 3 I absorbée | (A) | | 2.58 | 2.88 | 3.19 | 3.51 | 3.86 | 4.22 | 4.61 | 5.02 |
| | 4 Tc | (°C) | | 38.6 | 40.4 | 42.3 | 44.4 | 46.7 | 49.1 | 51.6 | 54.3 |
| 43 | 1 P frigorifique | (Watt) | | | | 866 | 1066 | 1283 | | | |
| | 2 P absorbée | (W) | | | | 688 | 772 | 860 | | | |
| | 3 I absorbée | (A) | | | | 3.31 | 3.70 | 4.11 | | | |
| | 4 Tc | (°C) | | | | 51.6 | 53.4 | 55.4 | | | |

1 = cooling capacity 2 = power input 3 = current 4 = condensing temperature 5 = ambient temperature 6 = evaporating temperature

(*) Veuillez vous référer strictement aux Recommandations d'Utilisation et Bulletins Marketing Tecumseh du fait de la température de reflux élevée pour les applications LBP.

(*) Due to very high discharge temperature especially on LBP conditions, please strictly refer to Tecumseh Guidelines & Marketing Bulletin when using this refrigerant.

Nota : Tecumseh se réserve le droit de modifier les informations contenues dans ce document sans préavis.

Note : Tecumseh reserves the right to change information contained in this document without notification.